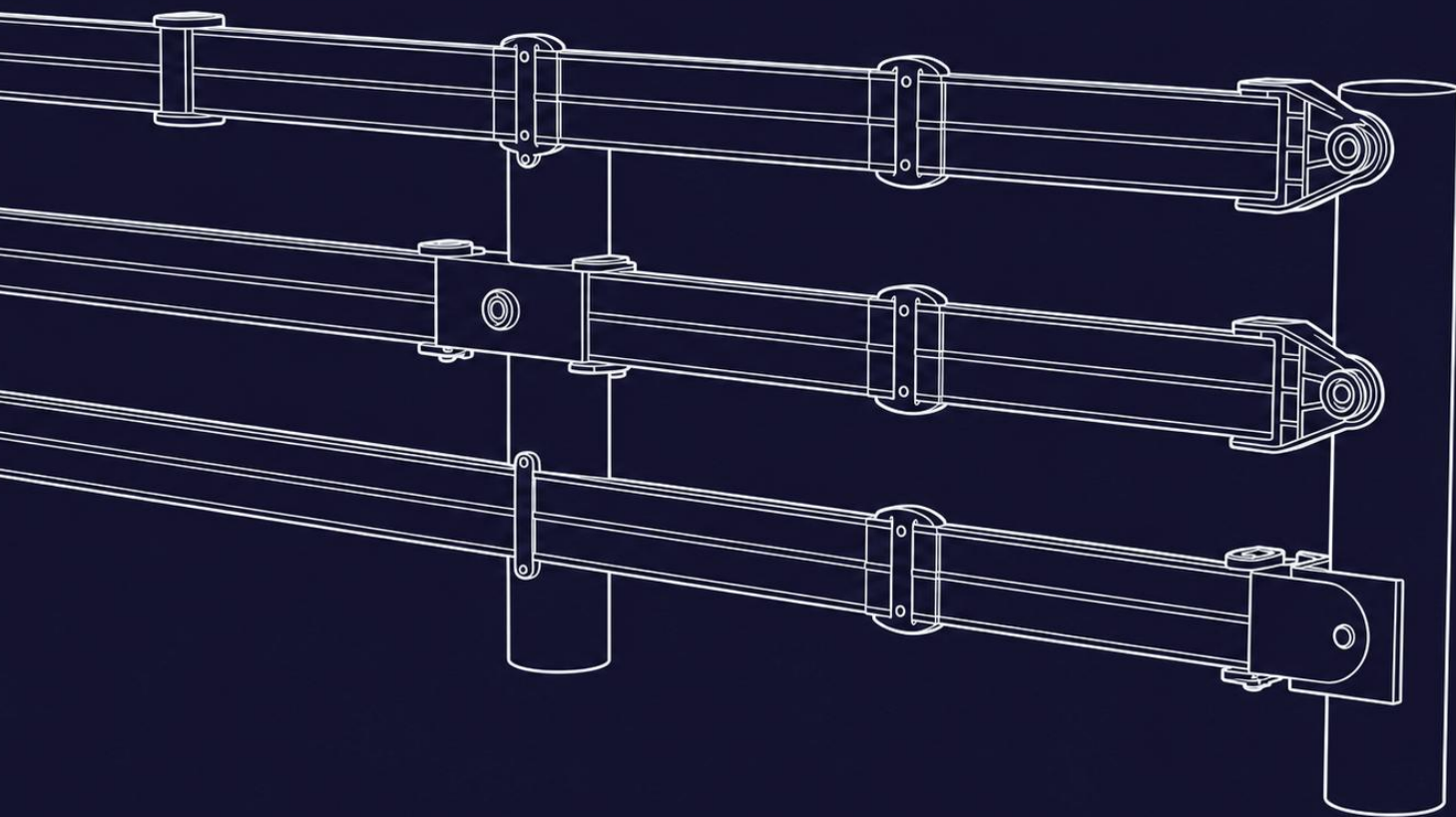
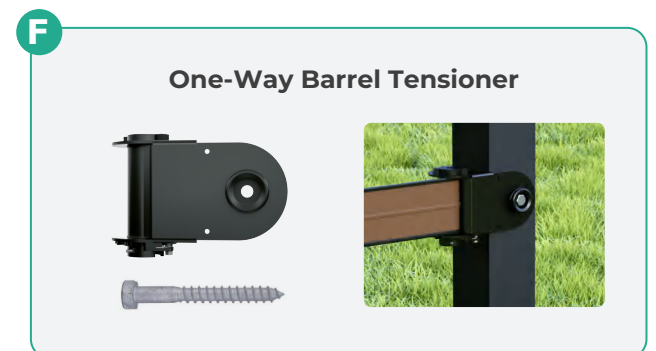
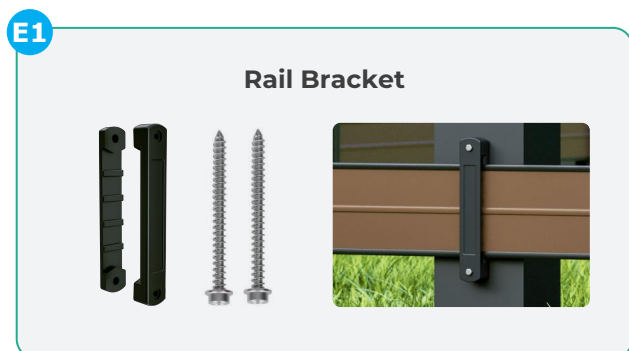
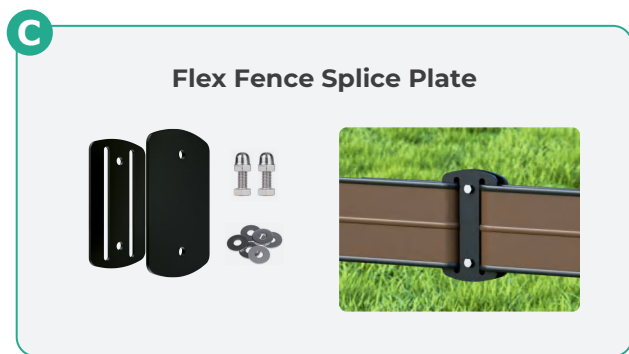
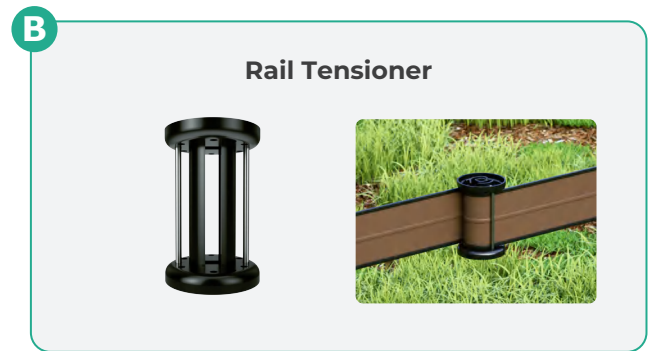
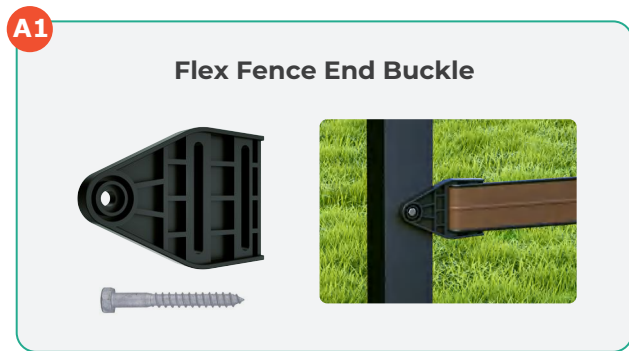
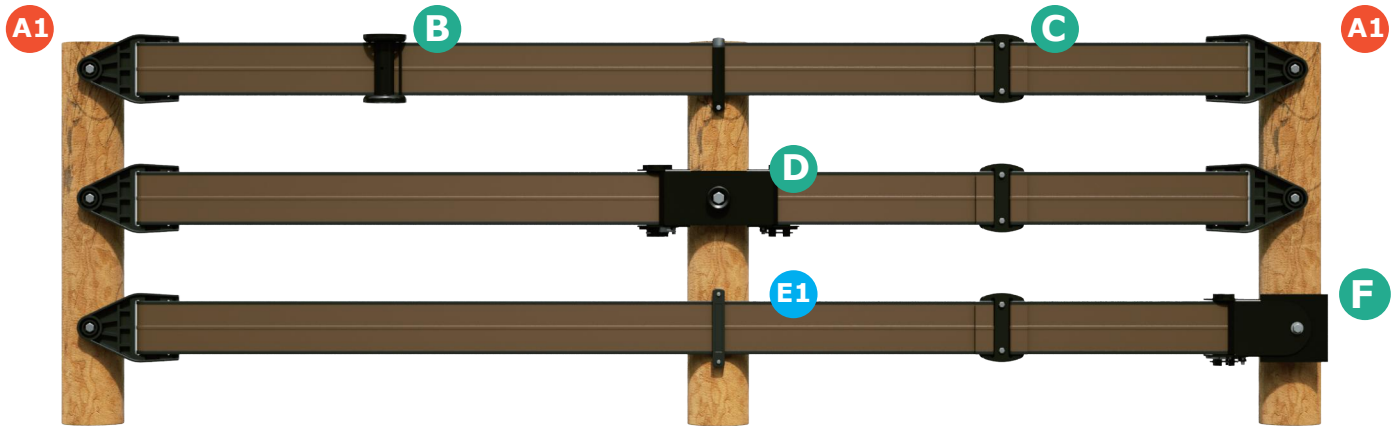


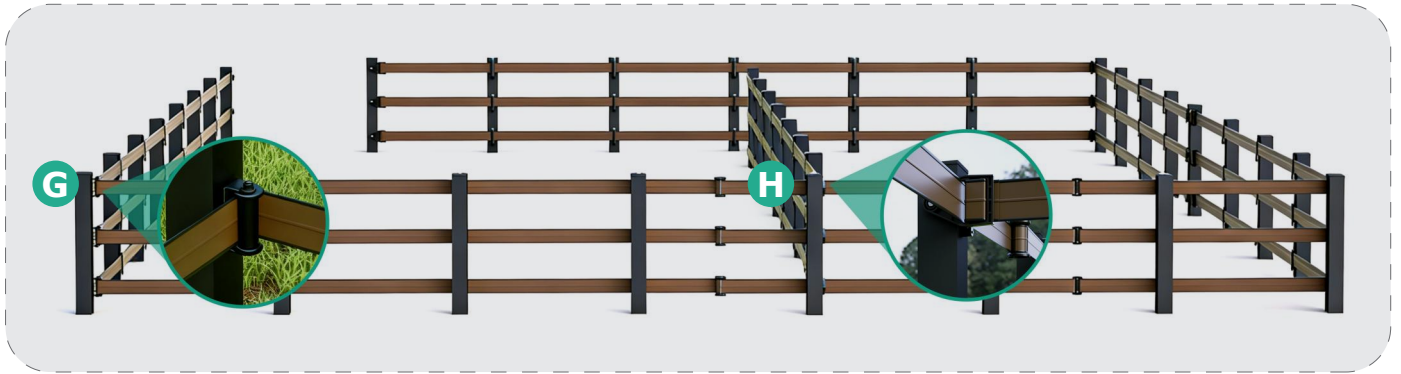
FLEXIBLE RAIL INSTALLATION GUIDE

www.migaequine.com



INSTALLATION VERSION 1





G

Inside Corner Roller

H

T Bracket

A1

Flex Fence End Buckle

QTY: _____

B

Rail Tensioner

QTY: _____

C

Flex Fence Splice Plate

QTY: _____

D

Two-Way Barrel Tensioner

QTY: _____

E1

Rail Bracket

QTY: _____

F

One-Way Barrel Tensioner

QTY: _____

G

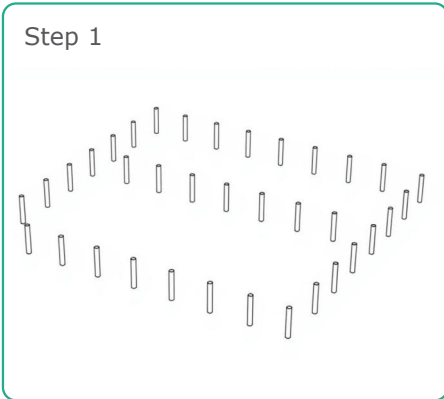
Inside Corner Roller

QTY: _____

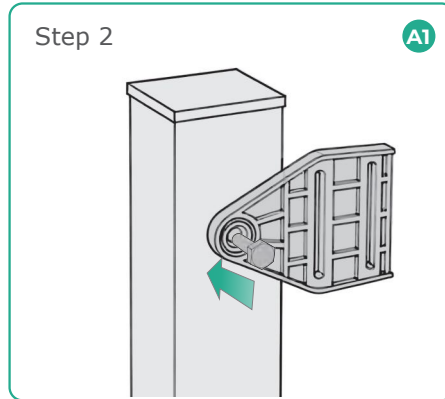
H

T Bracket

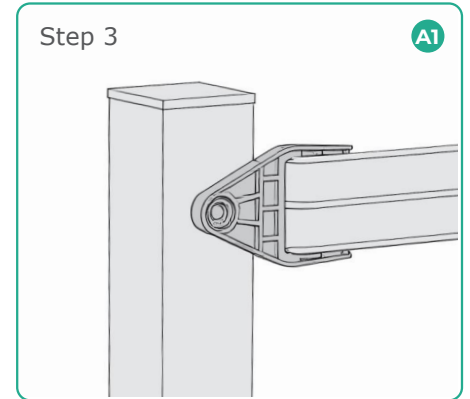
QTY: _____



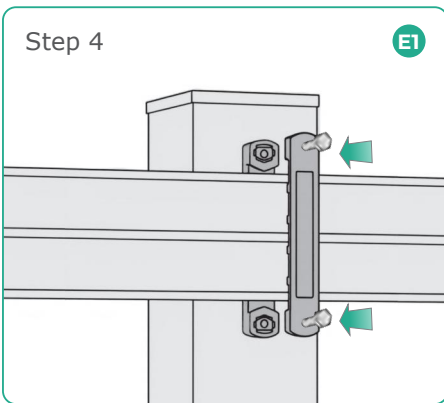
Tensioning the fence to keep it straight



Attach the End Buckle to the post using the supplied lag screw and washer.



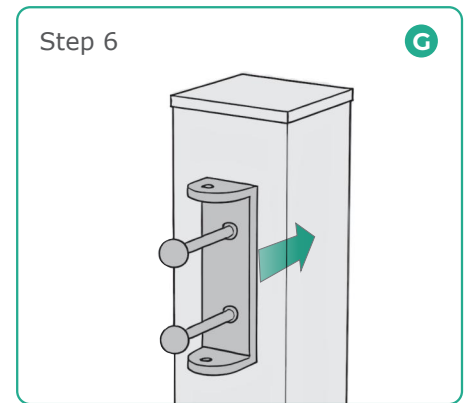
Let flexible rail pass bottom hole, bent it, let it pass front hole and fasten it.



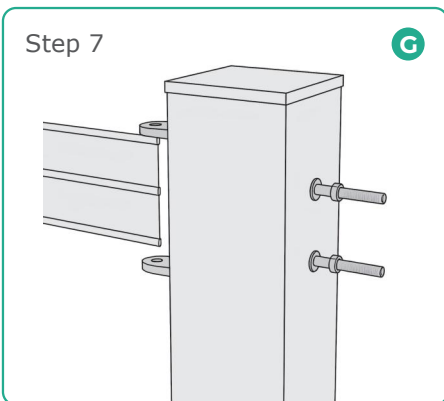
Attach Rail Bracket to the post using the supplied lag screw.



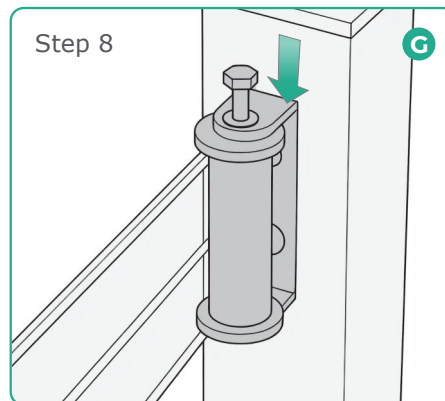
After finishing, installing the rest Rail Brackets with Flexible Rail.



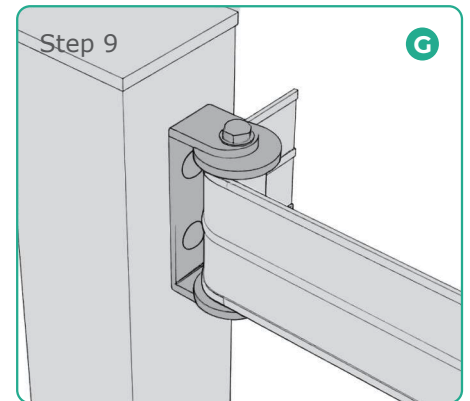
Attach the Corner roller to the post using the supplied lag screw and washer.



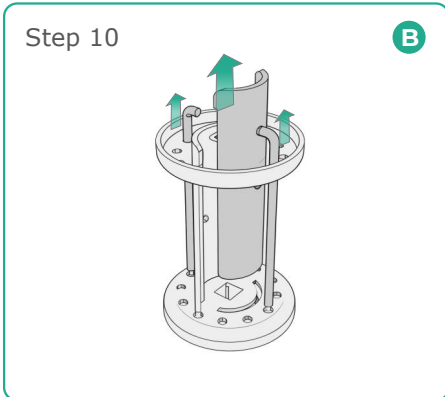
Drive Lag screws through post to fix the Inside Corner roller.



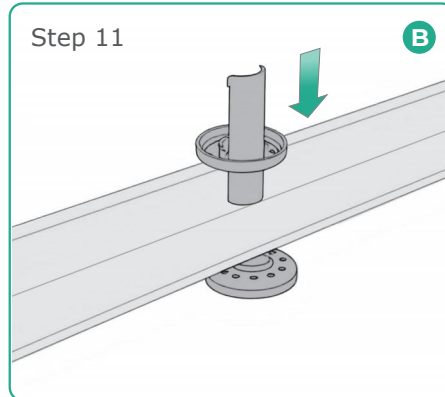
Install bolt and roller, let flexible rail go through corner roller.



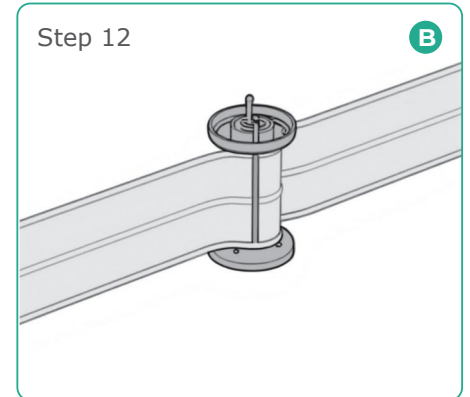
Bent flexible rail and fasten it firmly.



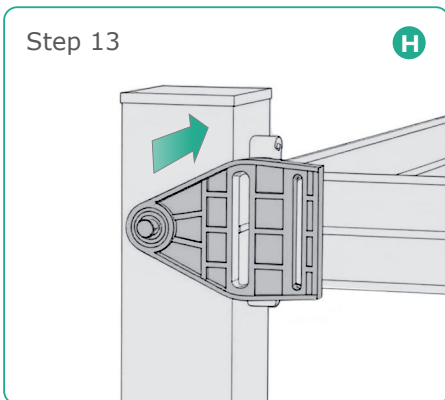
Remove 2 pins and 1 baffle from Rail Tensioner.



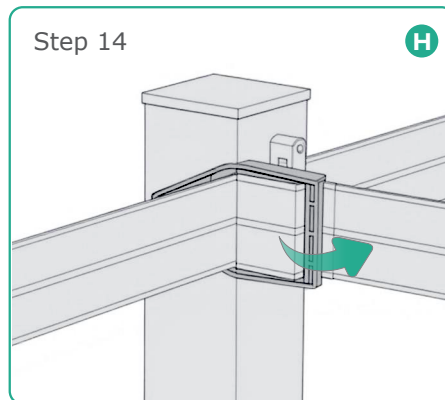
Attach Rail Tensioner to the flexible rail and fasten it by baffle.



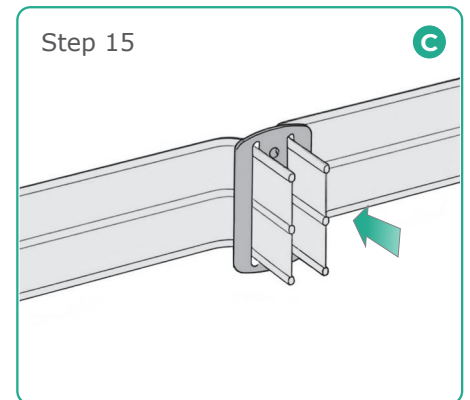
Tighten the flexible rail and fasten it by 2 pins.



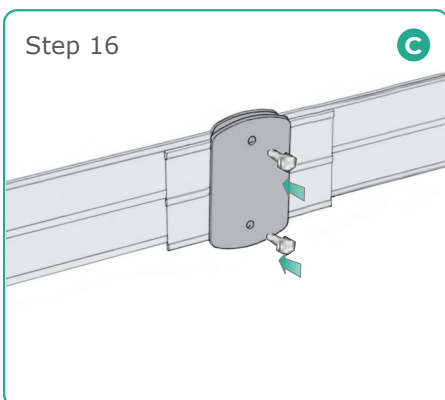
Install T Bracket to the post using the supplied lag screw, Let a flexible rail go through big hole.



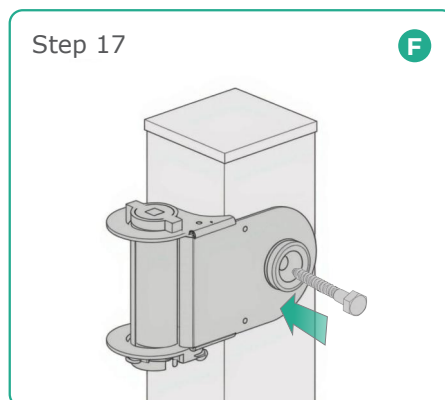
Let another flexible rail go through big hole and bent it, let it go through small hole.



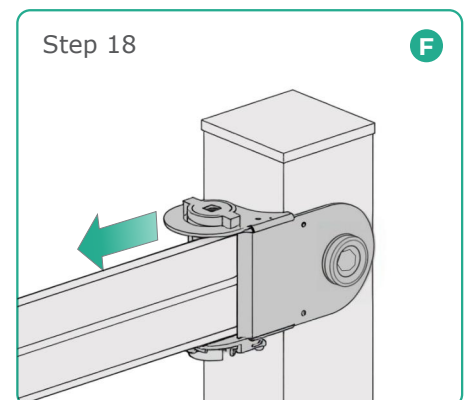
Let 2 flexible rails go through holes of Flex Fence Splice Plate and bent them.



Attach Splice Plate to 2 flexible rails using the supplied lag screws and washers.



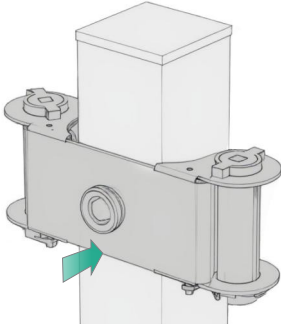
Attach One-Way Barrel Tensioner to post using supplied board, grommet, lag screws and washers.



Insert the Flexible Rail into hole of Barrel Tensioner and tighten it.

Step 19

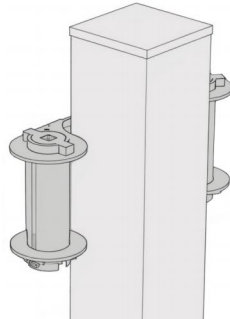
D



Attach the Corner roller to the post using the supplied lag screw and washer.

Step 20

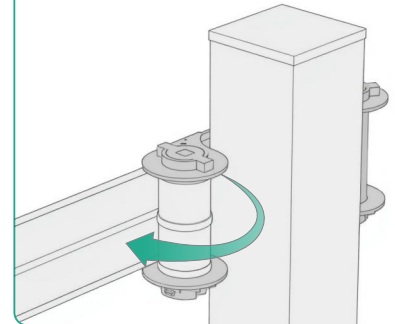
D



Drive Lag screws through post to fix the Inside Corner roller.

Step 21

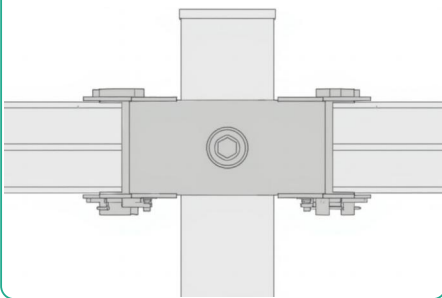
D



Insert the Flexible Rail into hole of Barrel Tensioner and tighten it as your request.

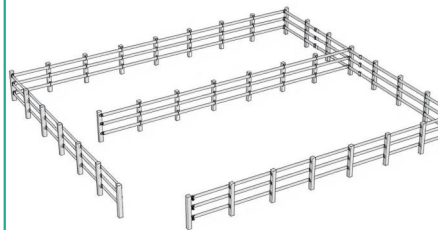
Step 22

D



Complete installation on the other side.

Step 23



Installation complete.







MIGAequine

Our customer services will be happy to help you.

Telephone: +86 0510-85101123 08:30– 17:30 (mon-sun)

Email: MIGAequine @ 163.com

Address: No.990 Jianghai West Road,Wuxi,Jiangsu China



www.migaequine.com



facebook.com/MIGAequine



youtube.com/@MIGAequine