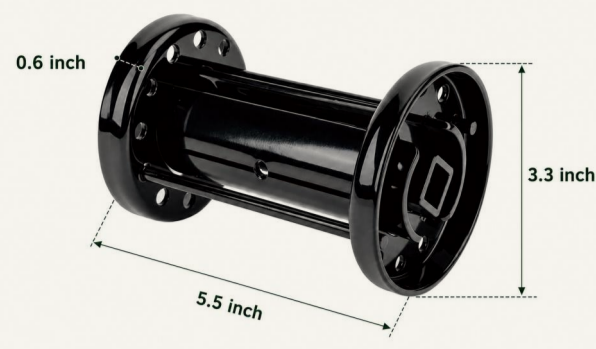

**Flex Fence End Buckle**

LF-PJHandle-03

- Insulated for use with Flex Rail.
- Ideal for round, square, steel or timber posts. Bracket suitable for 108mm wide Flex Rail
- weight: 419g


**Rail Tensioner**

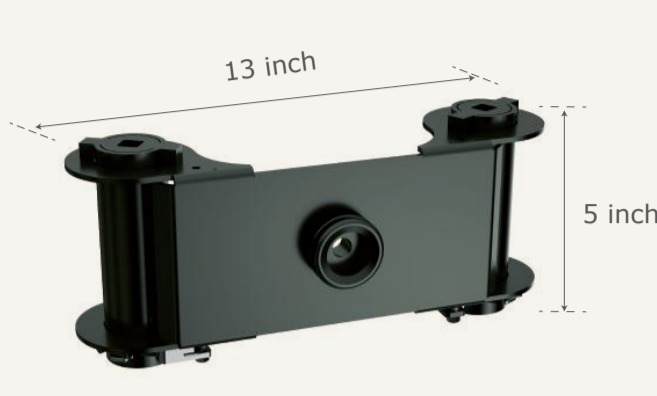
LF-PJHandle-07

- Designed for easy tensioning of Flex Rail Electric.
- Constructed of heavyduty powder-coated steel.
- Spool suitable for 108mm wide Flex Rail.


**Flex Fence Splice Plate**

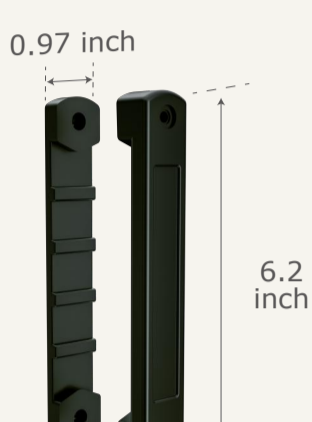
LF-PJHandle-05

- Combine two rails of Flex Fence with a spliceplate kit.
- weight: 632g


**Two-Way Barrel Tensioner**

LF-PJHandle08

- Two Way Barrel Tensioner is constructed of heavy-duty steel makes installation faster and easier.
- Two way barrel tensioners are for distances greater than 660'.


**Rail Bracket**

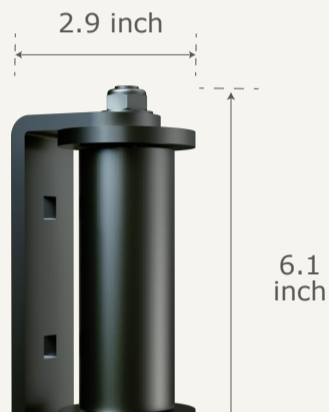
LF-PJHandle02

- Material: PE
- Heavy-duty plastic side bracket for attaching and insulating FlexRail Electric to the side of the line post.
- Bracket suitable for 108mm wide Flex Rail.
- screws provided.


**One-Way Barrel Tensioner**

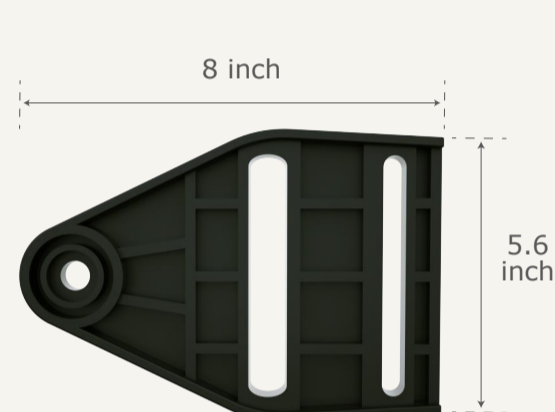
LF-PJHandle-04

- Designed for the start and end posts of your fencing, this durable end tensioner is constructed of heavy-duty steel, making tightening quick and easy.
- Available in Black, with custom colors available.


**Inside Corner roller**

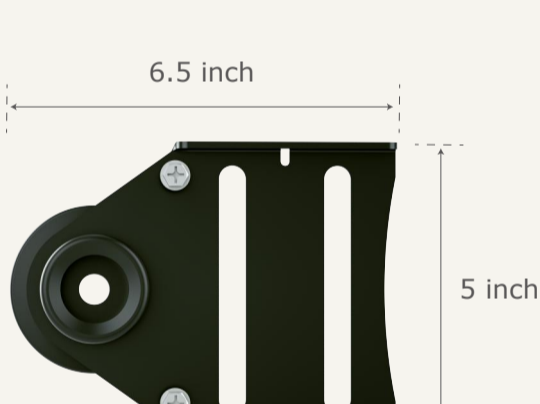
LF-PJHandle-06

- Allows rail to glide smoothly around inside corners, minimizing friction and ensuring clean directional changes.
- Built with durable nylon rods and includes 2 screws for easy installation.


**T Bracket**

91000000628

- 4.25" MIGA Rail end plate kits are used to end Flex Fence rails by capturing the Flex Fence rail between the end plate and wood post.
- The rounded design of the end plates ensures your horse's safety.


**Flex Fence End Buckle**

LF-PJHandle09

- 4.25" MIGA Rail end plate kits are used to end Flex Fence rails by capturing the Flex Fence rail between the end plate and wood post.
- The rounded design of the end plates ensures your horse's safety.


**Rail Top Bracket**

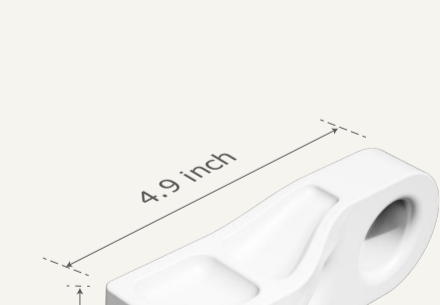
LF-PJHandle02-1

- Heavy-duty plastic top bracket for attaching the top rail.
- Easy to use.
- Can be used with Stallion Rail, Stallion Rail Ultra, Stallion Rail Extreme.


**Rail Side Bracket**

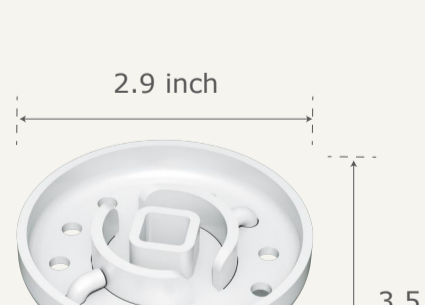
LF-PJHandle02-2

- Heavy-duty plastic side bracket for attaching the rail to the side of the post.
- Easy to use.
- For 4-inch Stallion Rail.


**Straight Attaching Insulated Buckle**

LF-I28

Use as an alternative type of insulation for Equine Fence Wire on line posts and corners.


**Mini Spooler**

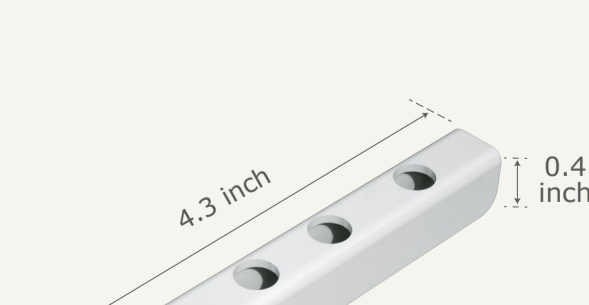
LF-I27

To complete tensioning of the fence -easily place the Mini Spooler onto the coated wire where desired.


**Coated Insulator**

LF-I29

A world class design innovation for permanent installations of electrifiable coated wire.


**Joining Buckle**

LF-I30

A quick, secure method to join coated wires without stripping or crimping.